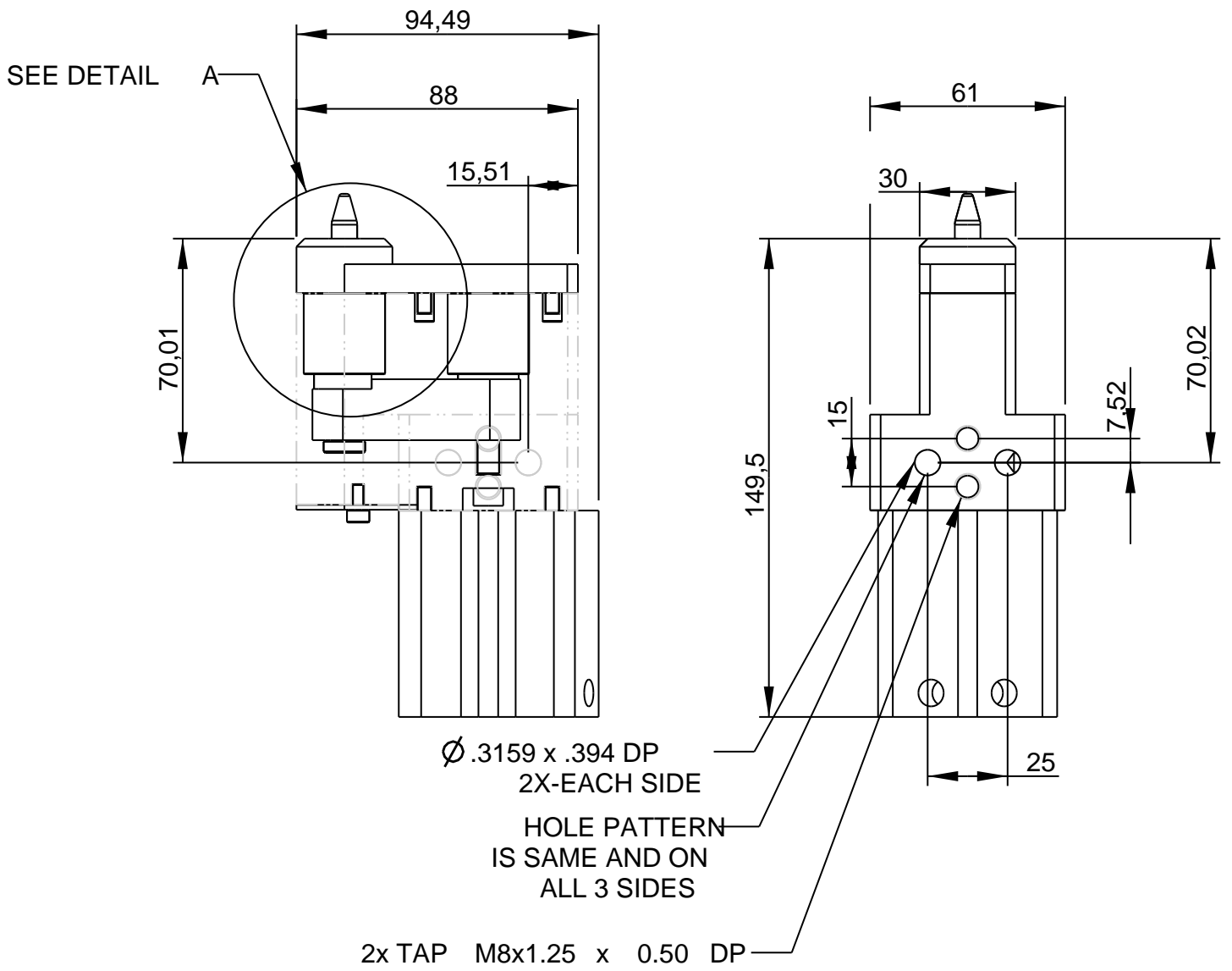
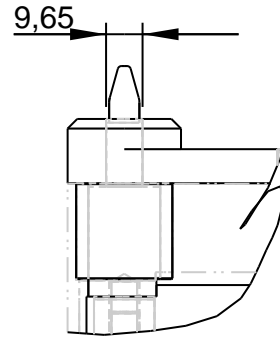
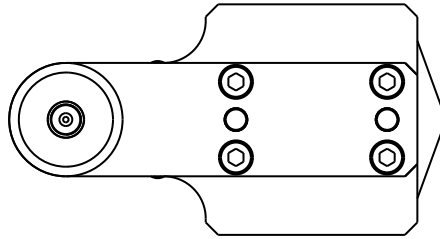


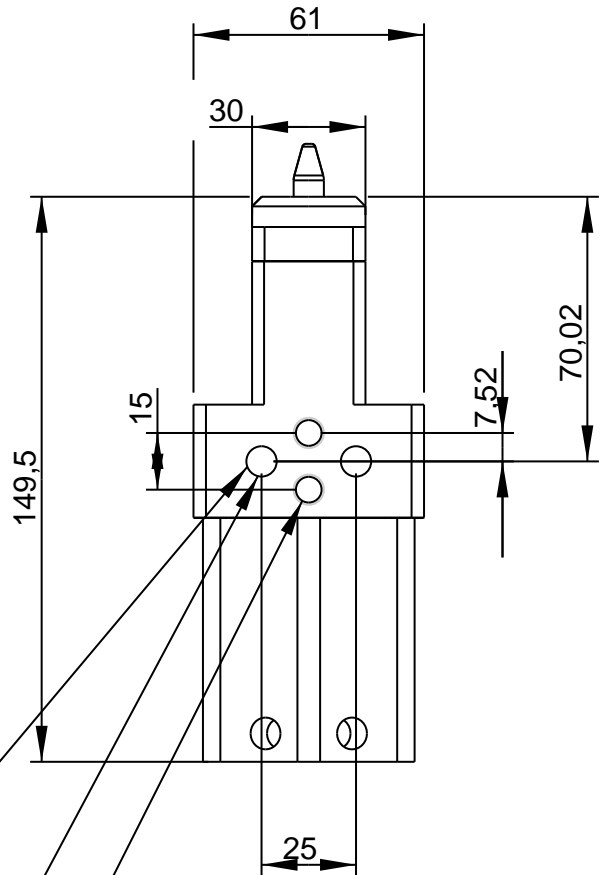
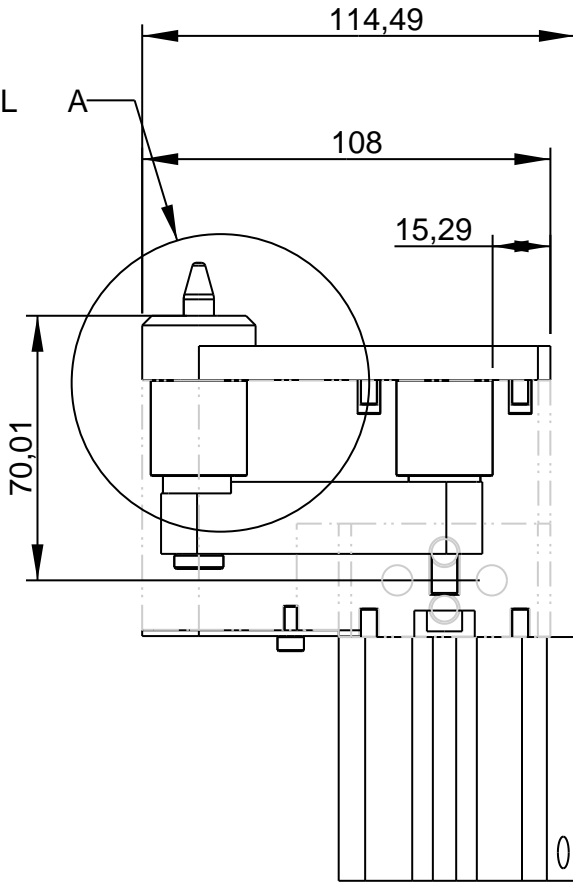
DETAIL A
SCALE 0.500





DETAIL A
SCALE 0.500

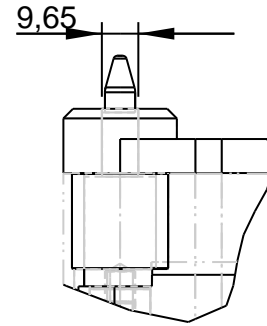
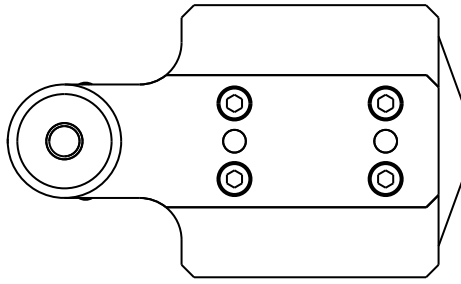
SEE DETAIL



$\text{Ø} 0.3159 \times .394 \text{ DP}$
2X-EACH SIDE

HOLE PATTERN IS THE SAME
ON ALL THREE SIDES

TAP M8x1.25 x 0.63 DP
2X-EACH SIDE



DETAIL A
SCALE 0.500

