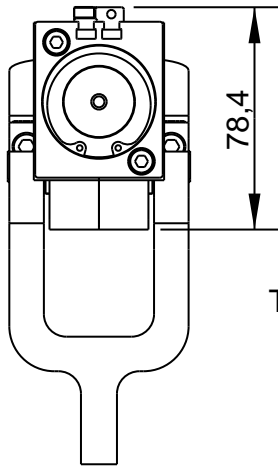
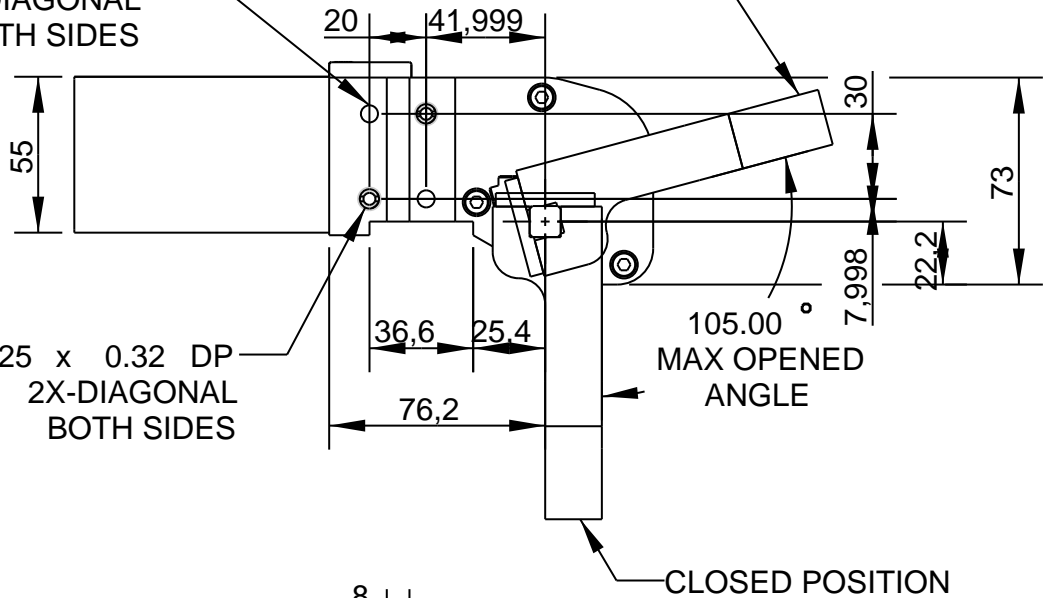


Ø0.2372 x 0.31 DP
2X-DIAGONAL
BOTH SIDES

OPEN POSITION

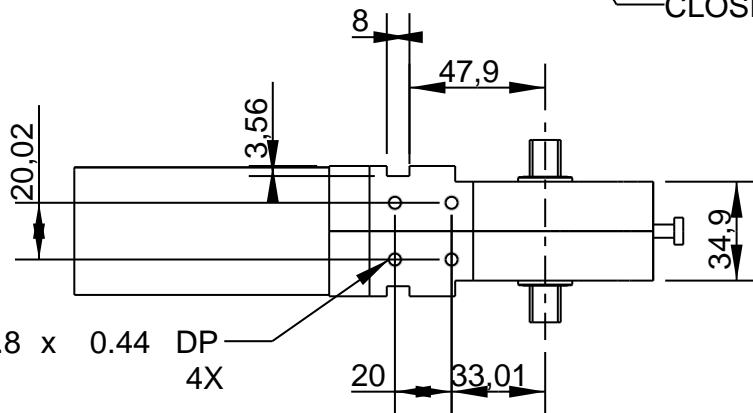


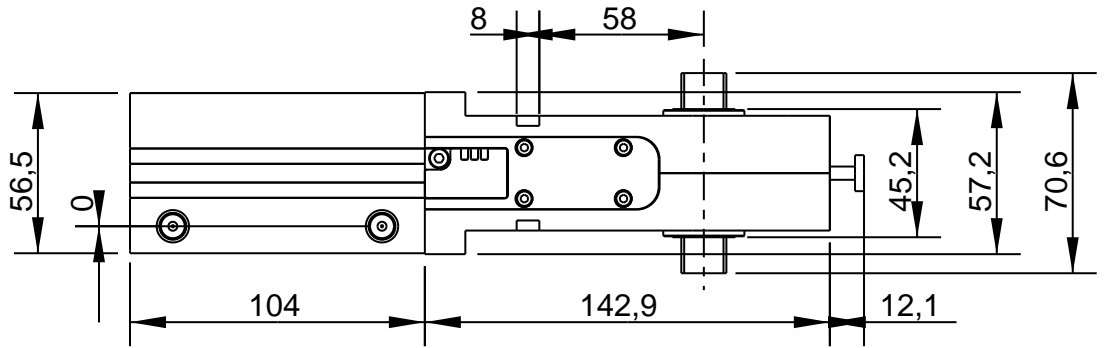
TAP M8x1.25 x 0.32 DP
2X-DIAGONAL
BOTH SIDES



CLOSED POSITION

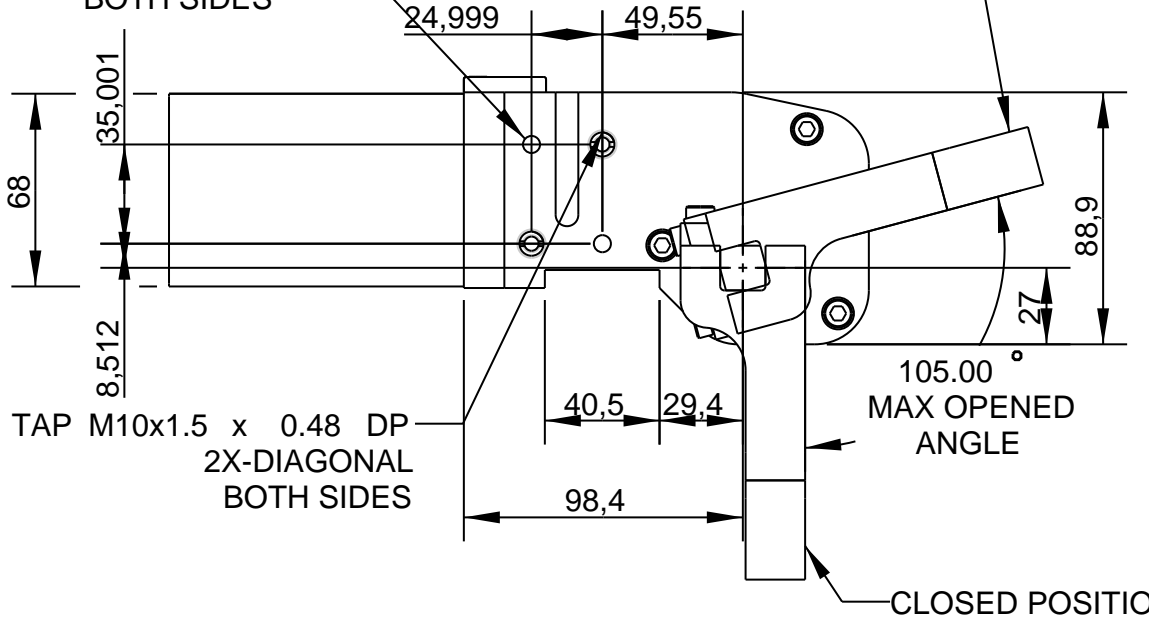
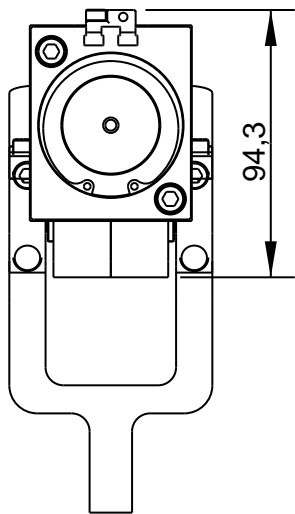
TAP M5x.8 x 0.44 DP
4X



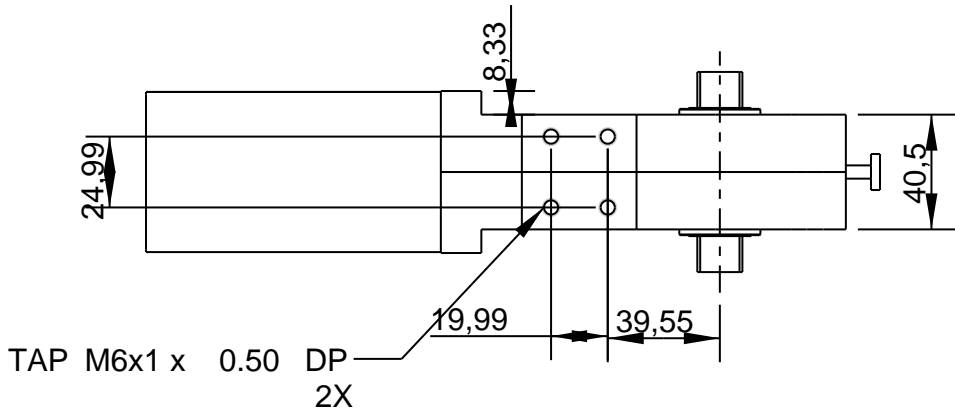


Ø0.2372 x 0.38 DP
2X-DIAGONAL
BOTH SIDES

OPEN POSITION



TAP M10x1.5 x 0.48 DP
2X-DIAGONAL
BOTH SIDES



TAP M6x1 x 0.50 DP
2X