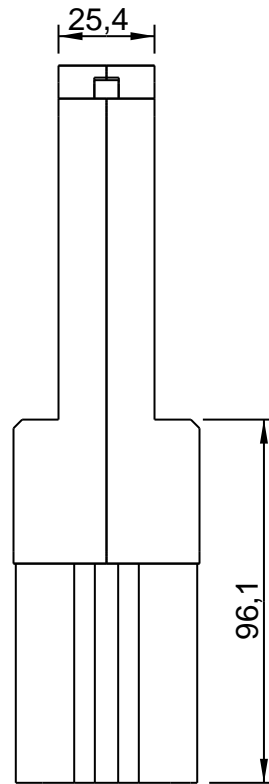
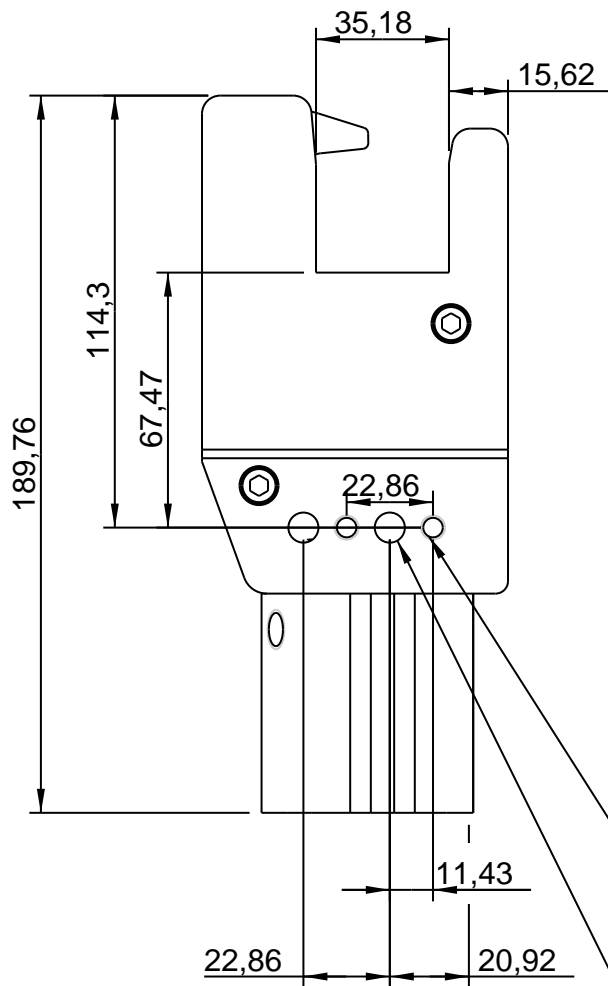
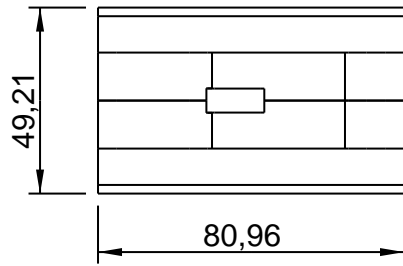


TAP 1/4-20 X .50 DP
2X-BOTH SIDES

Ø 0.3135 x 0.38 DP
2X



TAP 1/4-20 X .50 DP
2X-BOTH SIDES

Ø 0.3135 x 0.38 DP
2X

